



# 环球链条

## UNIVERSAL CHAINS

环球传动 创造美好

UNIVERSAL CHAINS,  
CREATE CHAIN TO CONNECT BEAUTIFUL LIFE!

### 环球传动

江苏省泰州市姜堰经济开发区姜溱路18号

热线电话: 400-0599-988

官网: [www.universalchain.com.cn](http://www.universalchain.com.cn)

邮箱: [kf01@universalchain.com.cn](mailto:kf01@universalchain.com.cn)

### UNIVERSAL TRANSMISSION

18 Jiangqin Road, Jiangyan Economic Development Zone,  
Taizhou, Jiangsu, China

Tel: +86-512-69006900

Website: [www.universalchain.net](http://www.universalchain.net)

E-mail: [kf02@universalchain.com.cn](mailto:kf02@universalchain.com.cn)



# 扶梯链

ESCALATOR CHAINS



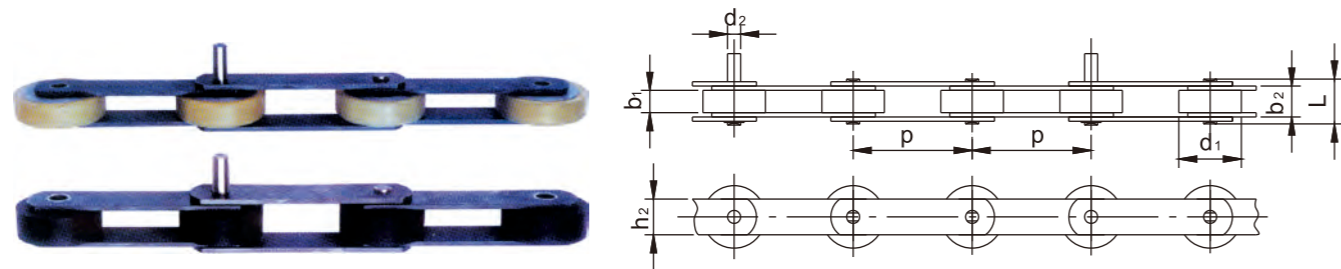
UNIVERSAL CHAINS

# 商用型自动扶梯梯级链

Commercial Escalator Step Chains

## 自动扶梯梯级链

Escalator Step Chains



规格 Chain No.	节距 Pitch	*滚子直径 Roller diameter	内节内宽 Width between inner plates	销轴直径 Pin diameter	内链板高度 Inner chain plate height	外链板高度 Outer chain plate height	销轴长度 Pin length	抗拉强度 Ultimate tensile strength	附件型式 Attachment type	一级链节数 One-step link no.	梯级距 Distance between steps
	P	d1	b1 min	d2 max	h1	h2	L max	Q min			mm
	mm	mm	mm	mm	mm	mm	mm	kN			
TL133P2a	133.33	76	27	12.67	35	25	49.9	75	D	3	400
TL133w2	133.33	70	27	14.63	35	35	51.7	80	D	3	400
TL133b	133.33	70	27	14.63	35	30	56.5	90	D	3	400
TL133w1	133.33	70	27	14.63	35	30	56.5	125	D	3	400
TL133	133.33	70	27	14.63	40	35	56.5	180	D	3	400
TL133w3	133.33	80	27	20	45	40	57.8	180	D	3	400
TL133Hs	133.33	76	27	22	50	50	56.5	200	D	3	400
TL133H	133.33	80	27	24	50	45	56.5	225	D	3	400
TL133Hy	133.33	76	27	25	50	50	63	255	D	3	400
TL135xa	135.47	76.2	23.6	12.7	35	26	50.2	70	D	3	406.4
TL135	135.47	76.2	22.3	12.8	32	32	50.3	123	D	3	406.4
TL135x	135.47	76.2	23.6	15	35	30	52.2	90	D	3	406.4
	135.47	76.2	23.6	15	35	30	52.2	123	D	3	406.4
TL135Hx1	135.47	76.2	23.6	20	45	45	51.1	150	D	3	406.4
TL135Hx	135.47	76.2	23.6	25	45	45	54.1	200	D	3	406.4

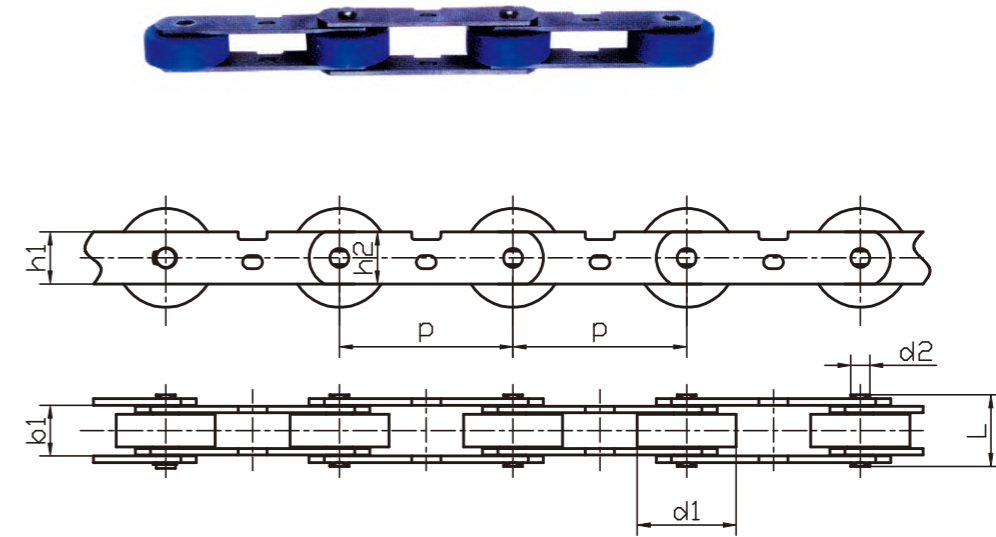
注: 1.TL135x链板不热处理时链条抗拉载荷90kN, 链板热处理时链条抗拉载荷123kN;  
2.带\*尺寸可根据客户梯型需要个性化设计

# 商用型自动扶梯梯级链

Commercial Escalator Step Chains

## 自动人行道链

Auto passage conveyor chains



规格 Chain No.	节距 Pitch	*滚子直径 Roller diameter	内节内宽 Width between inner plates	销轴直径 Pin diameter	内链板高度 Inner chain plate height	外链板高度 Outer chain plate height	销轴长度 Pin length	抗拉强度 Ultimate tensile strength
	P	d1	b1 min	d2 max	h1	h2	L max	Q min
	mm	mm	mm	mm	mm	mm	mm	kN
RL133	133.33	70	27	14.63	40	40	56.5	130
	133.33	70	27	14.63	40	40	56.5	180
RL133H	133.33	80	27	24	50	50	56.5	220
RL135	134.5	70	27	14.63	40	40	56.5	130
	134.5	70	27	14.63	40	40	56.5	180

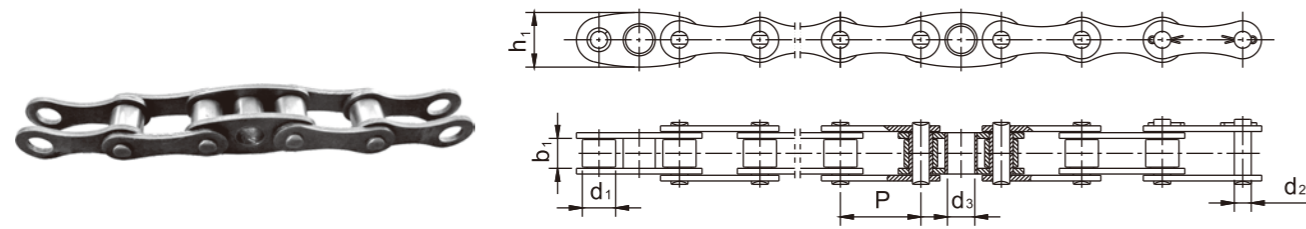
注: 1.RL133和RL135链板不热处理时链条抗拉载荷130kN, 链板热处理时链条抗拉载荷180kN;  
2.带\*尺寸可根据客户梯型需要个性化设计

# 商用型自动扶梯梯级链

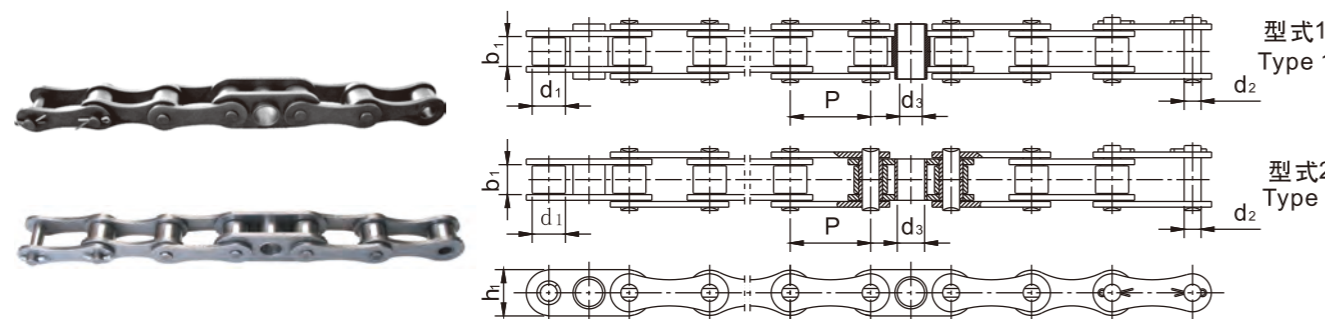
Commercial Escalator Step Chains

# 商用型自动扶梯梯级链

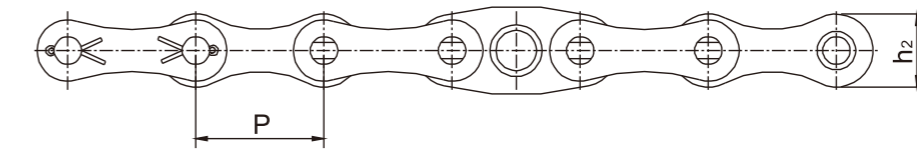
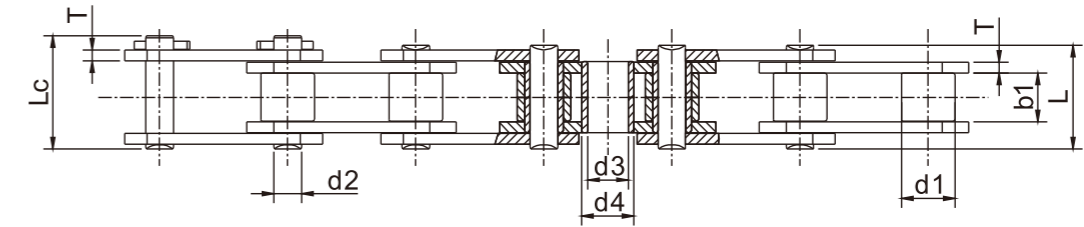
Commercial Escalator Step Chains



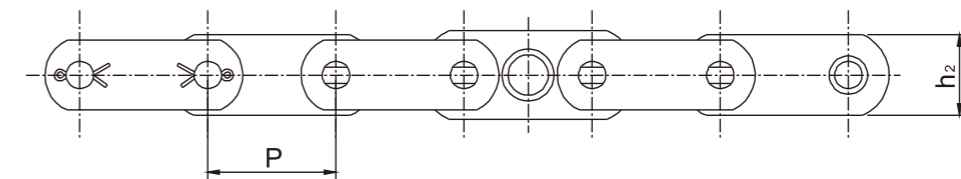
链号 Chain No.	节距 Pitch	滚子直径 Roller diameter	内节内宽 Width between inner plates	销轴直径 Pin diameter	内链板高度 Inner plate depth	套筒内径 Inner diameter of bush	抗拉强度 Ultimate tensile strength
	P	d <sub>1</sub> max	b <sub>1</sub> min	d <sub>2</sub> max	h <sub>1</sub> max	d <sub>3</sub> min	Q min
	mm	mm	mm	mm	mm	mm	N/kgf
Y899HC	67.733	28	25.215	14.29	46	23	88260/9000
Y899HD	67.733	28	25.215	14.29	46	23	147100/15000
T67	67.733	28	25.4	14.27	46	21	88260/9000
T67G	67.733	28	25.4	14.27	46	21	147100/15000
F-9	67.6	28	25.4	14.29	-	21	88260/9000
F-14	67.6	28	25.4	14.29	-	21	137200/14000
g-9	66.6	25.4	20.6	9.54	-	20	88260/9000



链号 Chain No.	节距 Pitch	滚子直径 Roller diameter	内节内宽 Width between inner plates	销轴直径 Pin diameter	内链板高度 Inner plate depth	套筒内径 Inner diameter of bush	抗拉强度 Ultimate tensile strength
	P	d <sub>1</sub> max	b <sub>1</sub> min	d <sub>2</sub> max	h <sub>1</sub> max	d <sub>3</sub> min	Q min
	mm	mm	mm	mm	mm	mm	N/kgf
T68	68.40	32.00	20.70	14.29	45.40	23.50	127500/13000
T68A	68.40	28.00	20.70	12.70	44.90	21.00	98000/10000
1-20	81.28	39.69	38.10	19.84	-	24.00	196000/20000
1-28	81.28	39.69	38.10	19.84	-	24.00	274400/28000
g-12.7	81.28	31.75	31.75	12.70	-	20.828	124460/12700



型式 I  
type I



型式 II  
type II



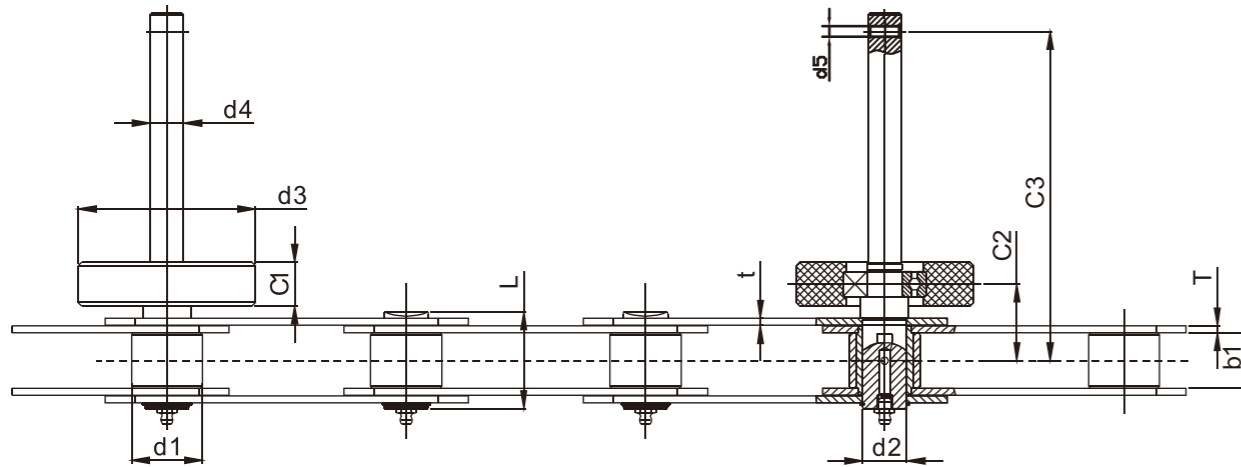
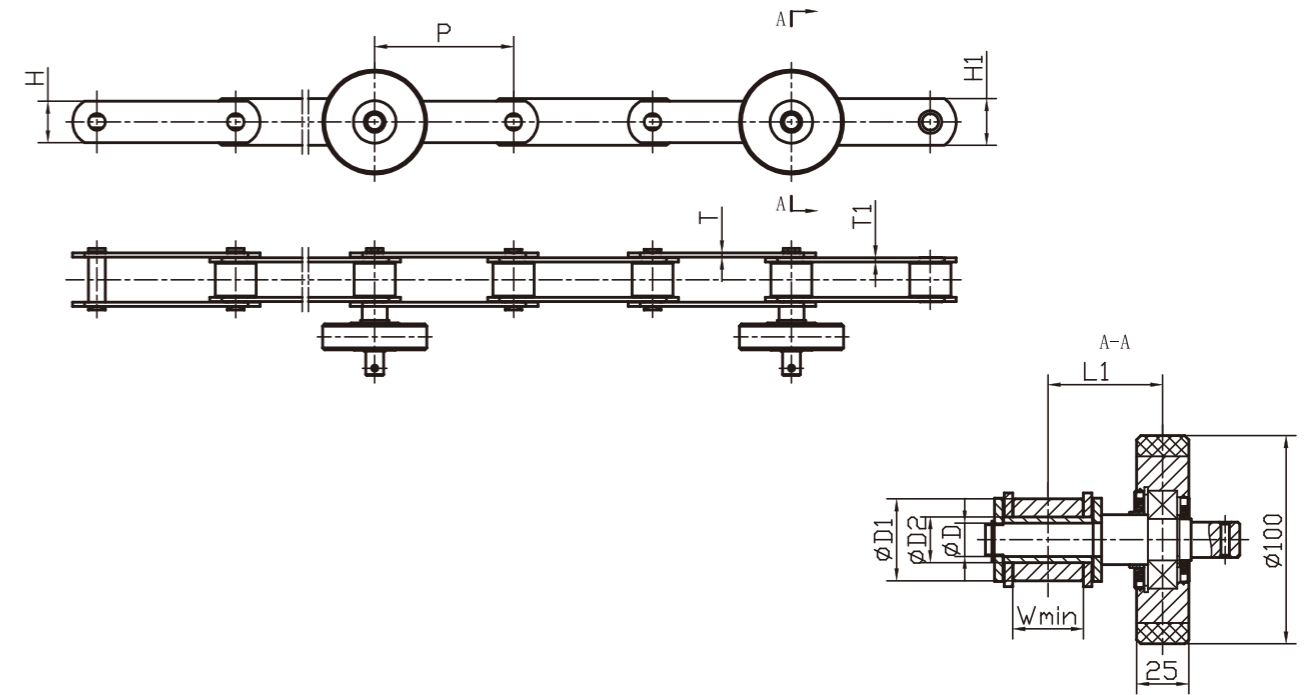
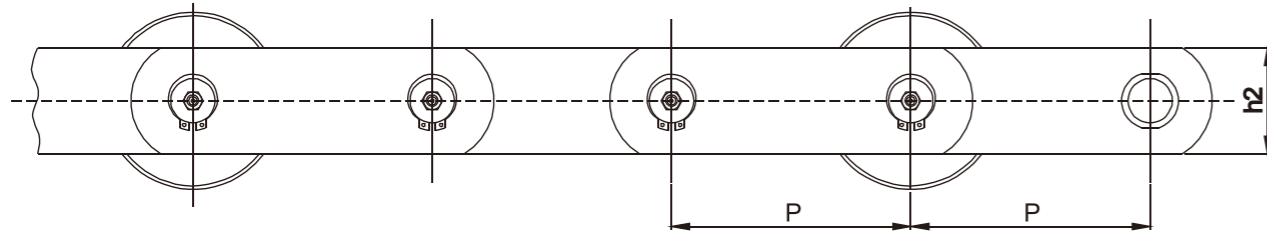
链号 Chain No.	节距 Pitch	滚子直径 Roller diameter	内节内宽 Width between inner plates	销轴直径 Pin diameter	销轴长度 Pin length		链板高度 Plate depth	链板厚度 Plate thickness	套筒内径 Inner diameter of bush	套筒外径 Outer diameter of bush	抗拉强度 Ultimate tensile strength	一级链节数 One-step link no.	梯级距 Distance between steps	型号 type
					L max	Lc max								
					mm	mm								
T66	66.667	28	25.4	14.29	51.4	56	38	4.8	21	27	147	6	400	I
T66H	66.667	28	25.4	14.29	54.1	59.1	42.2	5.6	21	27	215.6	6	400	II

# 公共交通型自动扶梯梯级链

Public Transport Escalator Chains

# 公共交通型自动扶梯梯级链

Public Transport Escalator Chains



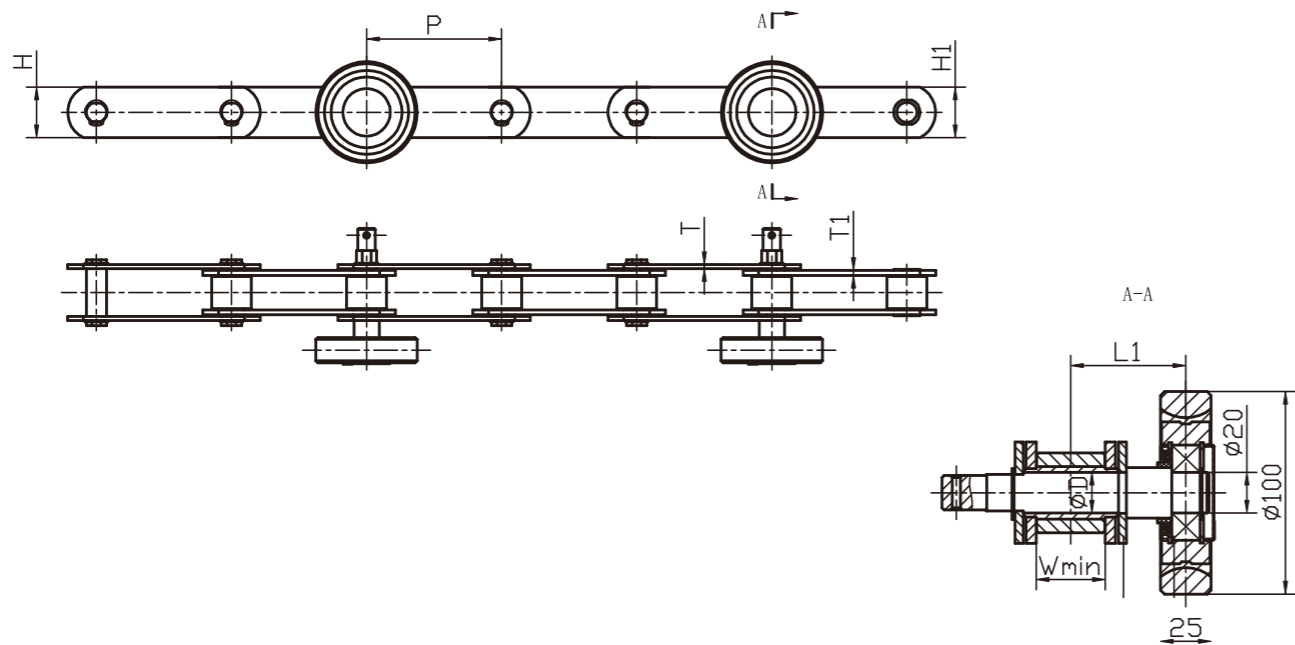
链号 Chain No.	节距 Pitch	滚子直径 Roller diameter	内节内宽 Width between inner plates	销轴直径 Pin diameter	销轴长度 Pin length	链板高度 Plate depth	链板厚度 Plate thickness	尺寸参数表 Diameter chart						抗拉强度 Ultimate tensile strength	一级链节数 One-step link no.	梯级距 Distance between steps
								d3	d4	d5	C1	C2	C3			
TL135Ha	135	54	31.3	40	61.6	75	5	100	19	6.2	25	43	185.6	320	3	405
TL135Hb	135	40	31.3	26	57.6	60	4.5	100	19	6.2	25	43	185.6	205	3	405
TL135Hc	135	54	31.3	32.5	60	75	5	100	19	6.2	25	43	185.6	270	3	405
TL135Hd	135	54	31.3	40.2	65.75	75	7/5.5	100	19	6.2	25	43	185.6	408	3	405

规格 Chain No.	节距 Pitch	尺寸参数表 Dimension chart									抗拉强度 Ultimate tensile strength
		P	∅ D	∅ D1*	∅ D2	W*	T	T1	H	H1	
TL133w3c	133.33	20	39.37	26	34	5	5	40	45	55	130000
	133.33	20	39.37	26	34	5	5	40	45	55	180000
TL133Hqb3	133.33	20	39.37	26	34	5	5	45	50	55	200000
TL133Hqb5	133.33	20	39.37	26	34	5	5	45	50	52.5	200000
TL133Hqb16	133.33	22	39.37	26	34	5	6	50	50	55	230000
TL133Hqc1b	133.33	22	39.37	30	34	5	6	50	50	52.5	260000
TL133Hqc1e	133.33	22	39.37	30	34	5	6	50	50	55	260000
TL133Hqc1d	133.33	22	39.37	30	34	5	6	50	50	60	260000
TL133Hqd9a	133.33	35	63.5	43	34	6	7	70	70	52.5	350000
TL133Hqd6a	133.33	35	63.5	43	34	6	6	75	75	52.5	400000
TL133Hmc	133.33	40	55	47	34	7	8	75	75	52	500000
TL133Hqd3	133.33	36	63.5	43	34	8	8	75	75	52.5	520000
TL133Hmc2	133.33	58.5	84	70	60	12	14	110	110	82	960000

注: 1. TL133w3c链板不热处理时链条抗拉载荷 130000N, 链板热处理时链条抗拉载荷 180000N;  
2. 带\*尺寸可根据客户梯型需要个性化设计

# 公共交通型自动扶梯梯级链

Public Transport Escalator Chains

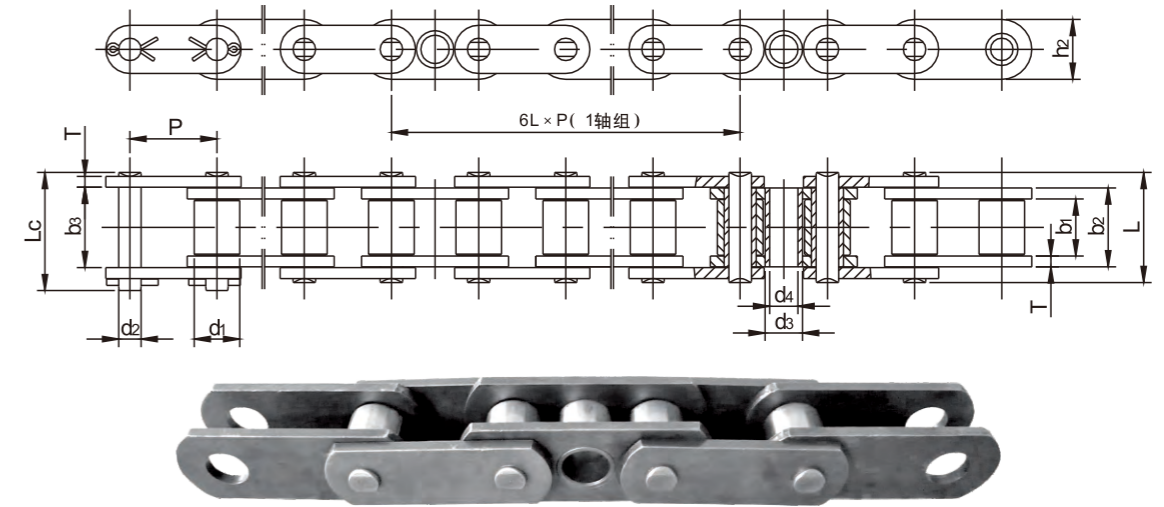


规格 Chain No.	节距 Pitch P	尺寸参数表 Dimension chart									抗拉强度 Ultimate tensile strength 最小破断力载荷/N (单边链条)
		Ø D	Ø D1 *	Ø D2	W *	T	T1	H	H1	L1 *	
TL133w3cy	133.3	20	39.37	26	34	5	5	40	45	55	130000
	133.3	20	39.37	26	34	5	5	40	45	55	180000
TL133Hx4	133.3	20	45	26	28	5	5	45	50	41	180000
TL133Hqb	133.3	20	40	26	26.8	5	5	55	60	40.5	200000
TL133Hqb1	133.3	20	39.37	26	34	5	5	45	50	55	200000
TL133H2	133.3	20	39.37	26	34	5	5	45	50	46.5	200000
TL133Hq	133.3	25	45	35	27	5	6	70	70	40.5	250000
TL133Hqc1	133.3	22	39.37	30	34	5	6	50	50	55	260000
TL133Hc1	133.3	23	39.37	30	33.7	5	5	55	55	46.5	260000
TL133Hx2	133.3	25	45	35	28	5	6	60	60	41	280000
TL133Hqa	133.3	35	55	45	26.8	5	6	80	80	40.5	350000
TL133Hqd9	133.3	35	52.3	43	34	6	7	70	70	56.8	350000
TL133Hqd6	133.3	35	55	43	34	6	6	75	75	46.5	400000
TL133Hqa2	133.3	40	55	47	26.8	5	6	80	80	40.5	400000
TL133Hqd10	133.3	35	52.3	43	54	7	7	70	80	66.8	480000
TL133Hma	133.3	40	55	47	33.7	7	8	75	75	51.5	500000
TL133Hqd3y	133.3	36	63.5	43	34	8	8	75	75	55	520000

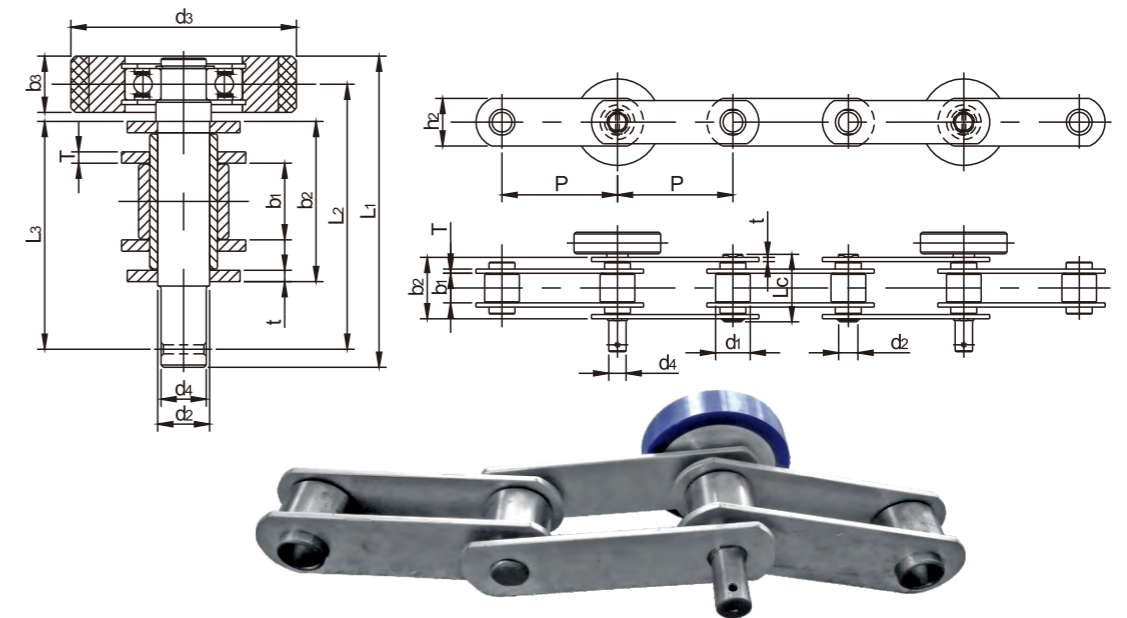
注: 1. TL133w3c链板不热处理时链条抗拉载荷 130000N, 链板热处理时链条抗拉载荷 180000N;  
2. 带\*尺寸可根据客户梯型需要个性化设计

# 公共交通型自动扶梯梯级链

Public Transport Escalator Chains



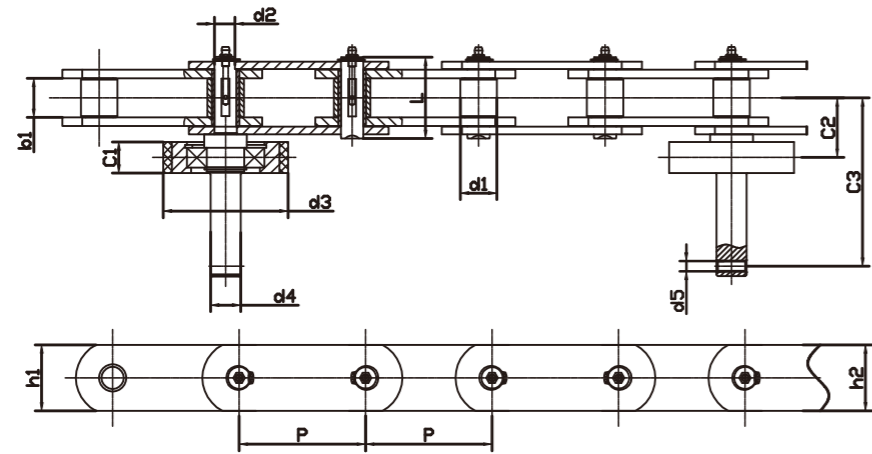
链号 Chain No.	节距 Pitch P	尺寸参数表 Dimension chart											抗拉强度 Ultimate tensile strength Qs kN	每米重量 Weight per meter q kg/m
		d1 max	d2 max	d3	d4	b1 min	b2 max	b3 min	h2 max	L max	Lc max	T		
TL67.73	67.73	35.4	17.46	29	22	43.3	61.3	62.3	46.4	85.5	91.8	8.5	274.4	13.5



链号 Chain No.	节距 Pitch P	尺寸参数表 Dimension chart													抗拉强度 Ultimate tensile strength Qs kN
		d1 max	d2 max	d3	d4	b1 min	b2 max	b3	h2 max	Lc max	T/t	L1	L2	L3	
TL133Hc	133.33	45	23	100	20	33.7	71	25	55	78.5	5.0	138	117.5	101	260.0
TL133Hd	133.33	55	32	100	20	33.7	71	25	75	79	6.0/5.0	138	117.5	101	400.0
TL133Hm	133.33	55	40	100	20	33.7	71	25	75	79.2	8.0/7.0	138	117.5	101	500.0

# 公共交通型自动扶梯梯级链

Public Transport Escalator Chains



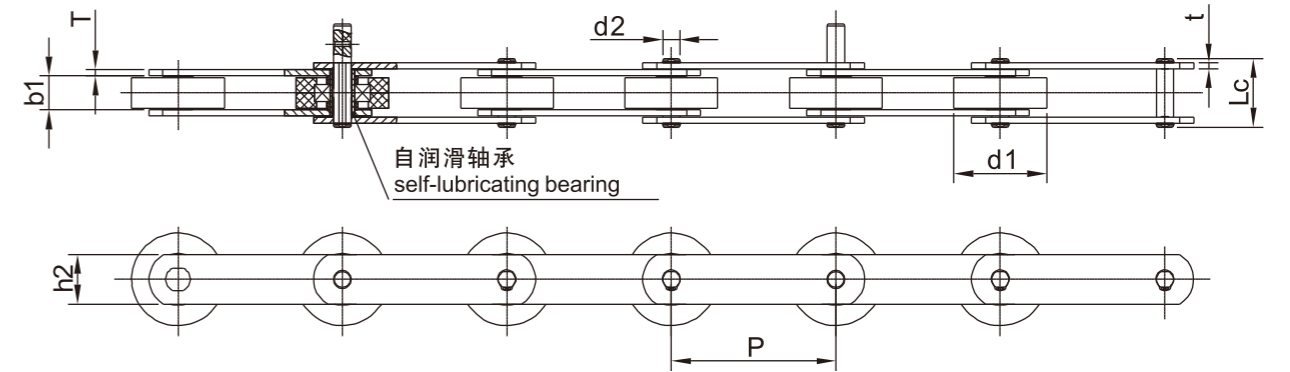
规格 Chain No.	节距 Pitch P	*滚子直径 Roller diameter d1	内节内宽 Width between inner plates b1 min	销轴直径 Pin diameter d2 max	内链板高度 Inner chain plate height h1	外链板高度 Outer chain plate height h2	销轴长度 Pin length L max	尺寸参数表 Dimension chart						抗拉强度 Ultimate tensile strength Q min kN	附件型式 Attachment type D	一级链节数 One-step link no. 4	梯级距 Distance between steps mm
								d3	d4	d5	C1	C2	C3				
TL101.25	101.25	40	31.3	23	55	50	60.6	100	24	8	25	47.9	159.2	250			
TL101.25a	101.25	29.21	31.3	17.78	53	53	65	100	24	8	25	48.3	159.3	245			
TL101.25b	101.25	40	31.3	23	53	50	62.65	100	24	8	25	47.65	237.6	245.25			
TL101.25c	101.25	40	31.3	25	53	53	64.4	100	24	8	25	49.5	160.8	260			
TL101.25d	101.25	29.21	31.3	17.78	46	46	63.8	100	24	8	25	49.65	159.25	166.7			
TL101.25e	101.25	40	31.3	23	53	53	62.65	100	24	8	25	48.05	159.3	186			
TL101.25g	101.25	40	31.3	23	55	50	60.6	100	24	8	25	48	159.2	250			

注: 1.带\*尺寸可根据客户梯型需要个性化设计

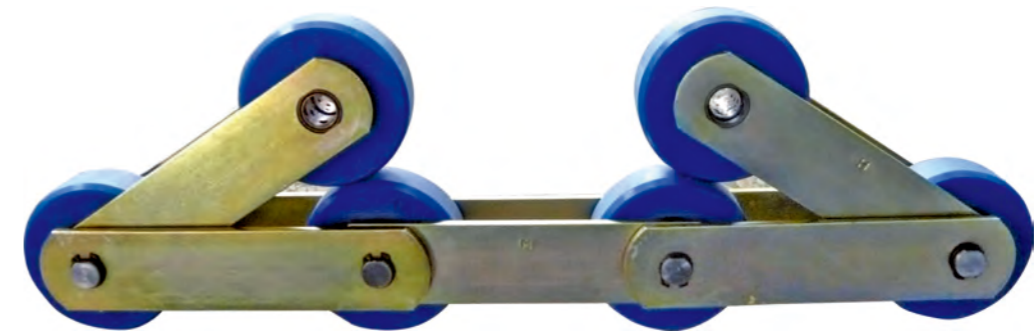
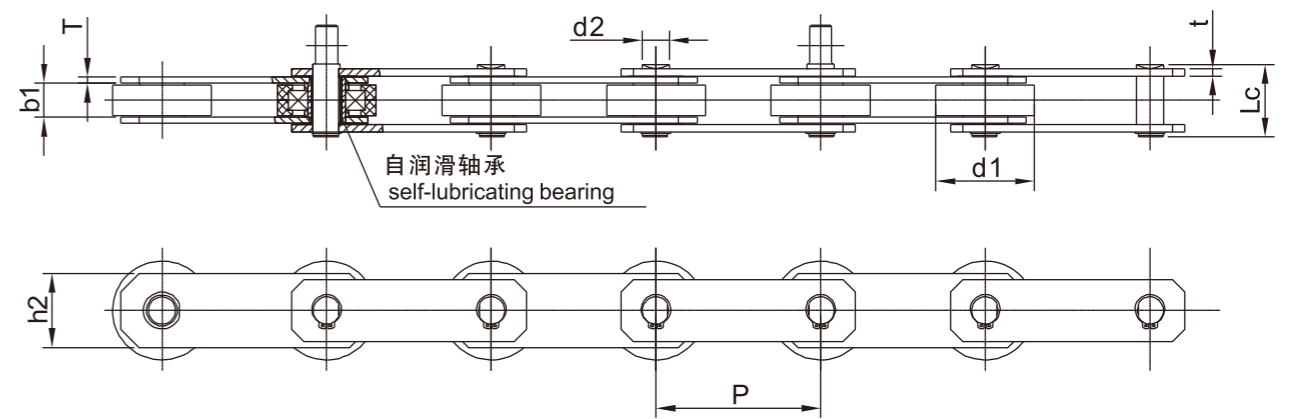
# 免维保自动扶梯梯级链

No maintenance escalator step chains

型式 I  
type I



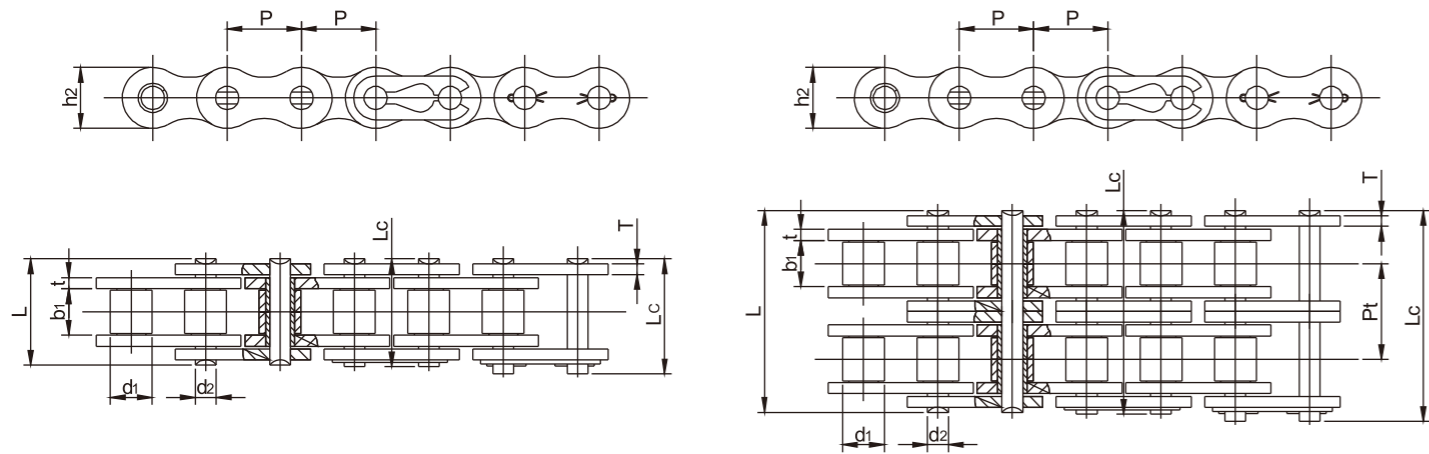
型式 II  
type II



链号 Chain No.	节距 Pitch P	滚子直径 Roller diameter d1 max	内节内宽 Width between inner plates b1 min	销轴直径 Pin diameter d2 max	销轴长度 Pin length Lc max	链板高度 Plate depth h2 max	链板厚度 Plate thickness T/t	抗拉强度 Ultimate tensile strength Q min kN	一级链节数 One-step link no. 3	梯级距 Distance between steps mm	型号 type
TL133c	133.33	75	27	13.85	55.4	40	5	180	3	400	I
TL133Hg	133.33	80	27	22	58.8	60	5/6	230	3	400	II

# 扶手带驱动链

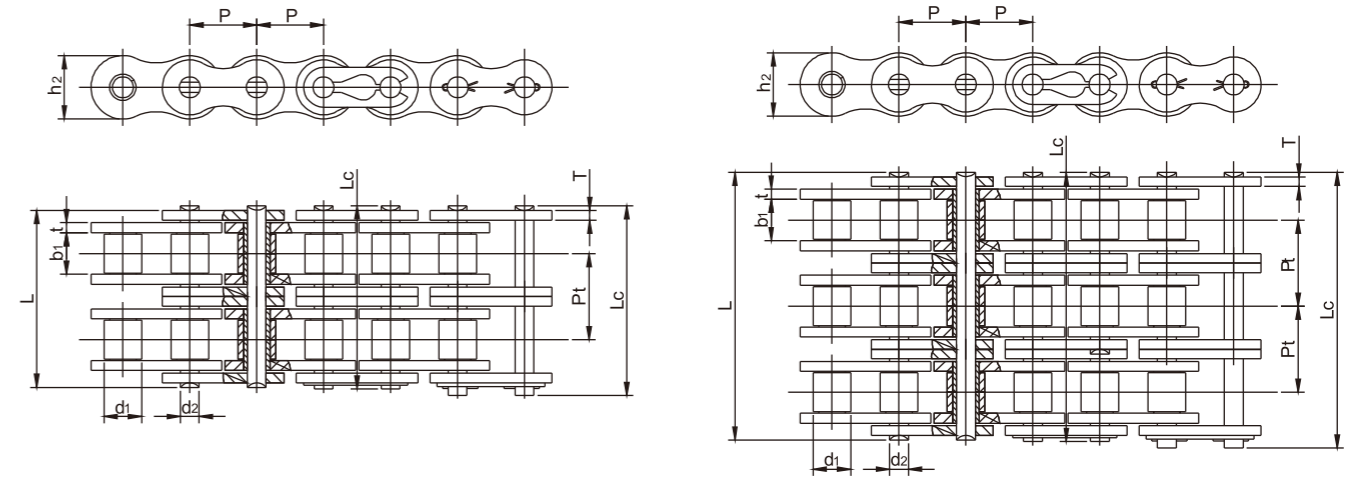
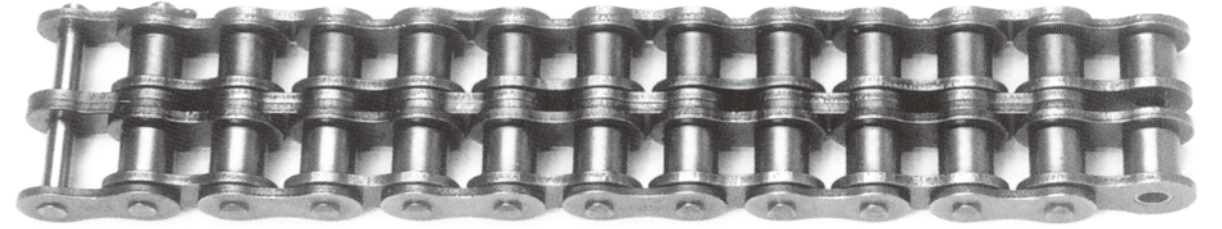
## Handrail Driving Chains



链号 Chain No.	节距 Pitch	滚子直径 Roller diameter	内节内宽 Width between inner plates	销轴直径 Pin diameter		销轴长度 Pin length		内链板高度 Inner plate depth	链板厚度 Plate thickness	排距 Transverse pitch	抗拉强度 Ultimate tensile strength	平均抗拉强度 Average tensile strength	每米重量 Weight per meter
	P	d <sub>1</sub> max	b <sub>1</sub> min	d <sub>2</sub> max	L max	Lc max	h <sub>2</sub> max	t/T	Pt	Q min	Q <sub>0</sub>	q <sub>≈</sub>	
	mm	mm	mm	mm	mm	mm	mm	mm	mm	kN	kN	kg/m	
16A-2	25.40	15.88	15.75	7.92	62.7	64.3	24.00	3.25	29.29	113.40	141.8	5.15	
16AFT-2	25.40	15.88	15.75	7.92	62.7	65.8	24.00	3.25	29.29	132.3	165.4	5.51	
16B-1	25.40	15.88	17.02	8.28	36.1	37.4	21.00	4.15/3.10	/	60.0	72.8	2.71	
16B-2	25.40	15.88	17.02	8.28	68.0	69.3	21.00	4.15/3.10	31.88	106.0	133.0	5.42	

# 主驱动链

## Escalator Drive Chains



链号 Chain No.	节距 Pitch	滚子直径 Roller diameter	内节内宽 Width between inner plates	销轴直径 Pin diameter		销轴长度 Pin length		内链板高度 Inner plate depth	链板厚度 Plate thickness	排距 Transverse pitch	抗拉强度 Ultimate tensile strength	平均抗拉强度 Average tensile strength	每米重量 Weight per meter
	P	d <sub>1</sub> max	b <sub>1</sub> min	d <sub>2</sub> max	L max	Lc max	h <sub>2</sub> max	t/T	Pt	Q min	Q <sub>0</sub>	q <sub>≈</sub>	
	mm	mm	mm	mm	mm	mm	mm	mm	mm	kN	kN	kg/m	
16A-2F	25.4	15.88	15.75	7.92	62.7	67.1	24.13	3.26	29.29	111.2	143.0	5.15	
16B-2F	25.4	15.88	17.02	8.28	68.0	73.4	21.08	4.09/3.10	31.88	106.0	126.5	5.42	
20A-2F	31.75	19.05	18.90	9.53	76.4	83.1	30.18	4.00	35.76	173.5	215.6	7.80	
20B-2F	31.75	19.05	19.58	10.19	79.7	85.8	26.42	4.60/3.60	36.45	170.0	210.0	7.20	
20AFT-2	31.75	19.05	18.90	9.53	76.4	80.5	30.10	4.00	35.76	211.68	262.5	8.09	
20A-3	31.75	19.05	18.90	9.53	112.2	116.3	30.00	4.00	35.76	265.5	309.6	11.77	
20AFT-3	31.75	19.05	18.90	9.53	112.2	116.3	30.10	4.00	35.76	330	395.0	12.1	
24A-2	38.10	22.23	25.22	11.10	95.8	99.7	35.70	4.80	45.44	254.00	314.9	11.70	
20B-3	31.75	19.05	19.56	10.19	114.2	117.9	26.40	4.60/3.60	36.45	250	290.0	10.82	
24B-2	38.10	25.40	25.40	14.63	101.7	106.2	33.20	5.80/4.80	48.36	280.0	319.2	13.40	